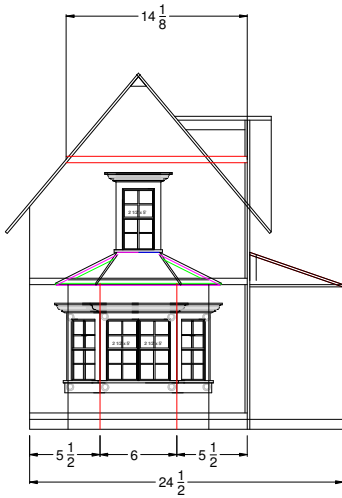
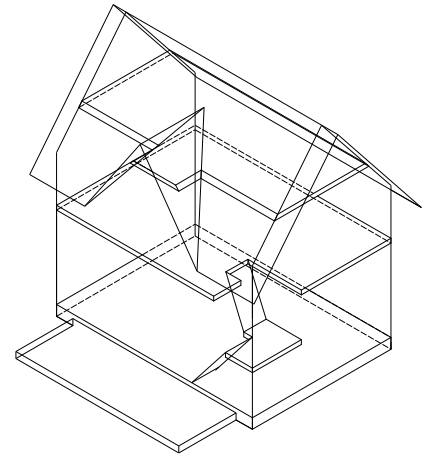
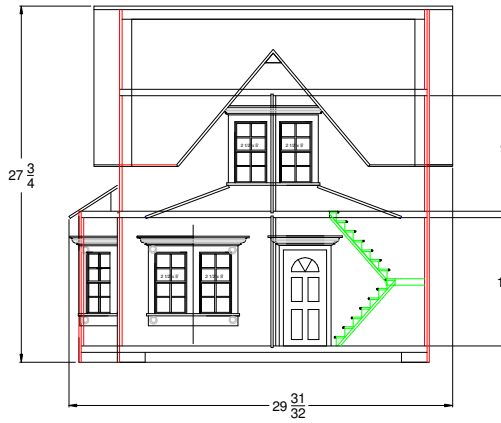


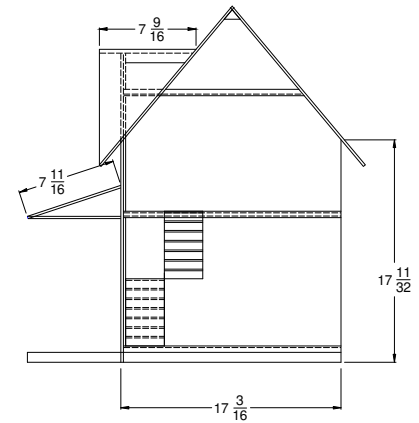
Plan View



Left Elevation

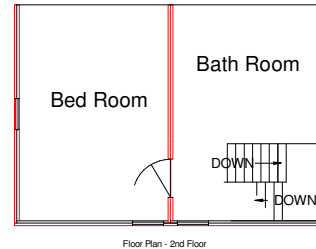


Front Elevation

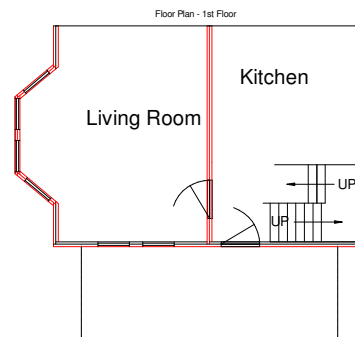


Right Elevation

- 1) Foundation and 1st Floor
- 2) 2nd and 3rd Floor
- 3) Sheet layout
- 4) Front Wall - Exterior
- 5) Side Walls - Exterior
- 6) Left Side Walls - Interior
- 7) Front Walls - Interior
- 8) Right Side Walls - Interior
- 9) Center Walls
- 10) Main Roof Panels
- 11) Bay and Porch Roof
- 12) Floor - Wall Assembly Sequence
- 13) Roof Views & Perlin Details
- 14) Stair Detail & Assembly
- 15) Windows
- 16, 17 & 18) Front & Side Views



Floor Plan - 2nd Floor



Floor Plan - 1st Floor

MATERIAL: 3/4, 1/2, and 3/16 inch cabinet grade plywood. Particle core board is NOT recommended. If 3/16 plywood is not available, substitute 5mm. Decide on the exterior siding/finish so that windows may be ordered as soon as possible. If Floors are to be stained and varnished, select the 1/2 inch plywood accordingly (tight, straight grain pattern). Stair Tread and Riser can be cut from clear white pine. Roof Perlins cut from 3/4 inch stock (pine). Use #6 x 3/4 sheet metal screws during temporary assembly: #8 x 3/4 flat head wood screws for final, glued assembly.